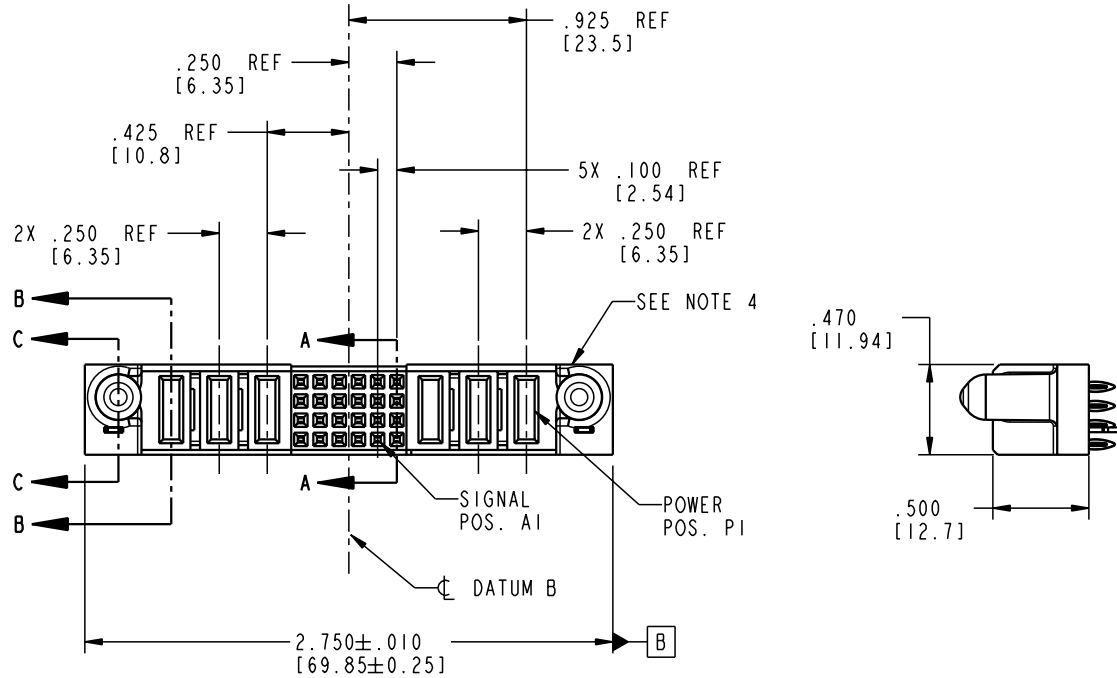


Tous droits strictement réservés. Reproduction ou communication o des liers interdite sous quelque forme que ce soit sans autorisation écrite du propriétaire. Propriete de c FCI. Droits de reproduction FCI.

All rights strictly reserved. Reproduction or issue to third parties in any form whenever is not permitted without written authority from the proprietor. Property of FCI. Copyright FCI.

FCI

PRODUCT NO.	ROWS	POWER			SIGNAL							POWER			E1					
		E2	P6	P5	P4	6	5	4	3	2	1	P3	P2	P1						
51740-10302403CA	D C B A		PC	PC	PC	F	F	F	F	F	F	F	F	F	F	F	PC	PC	PC	



CODE	DIM "M" MATING LENGTH	CONTACT TYPE
F	N/A [N/A]	SIGNAL
PC	.042 [1.07]	POWER
HA	N/A [N/A]	HOLD-DOWN

mat'l code				SEE NOTE 2		tolerances unless otherwise specified		CUSTOMER		FCI www.fciconnect.com		
ltr	ecn no.	dr	date	linear	.XX±.01/0.X±0.3		COPY		title			
A	V21766	CGD	11/12/02		.XXX±.005/0.XXX±0.13		projection		3P + 24S + 3P			
					angles	.XXX±.0020/0.XXX±0.051		INCH/MM		product family		
						0°±2°		scale		PwrBlade		
				dr	C. DAILY	11/12/02	1:1		code			
				engr	M. MOSTOLLER	11/12/02			213			
				chr	M. MOSTOLLER	11/12/02			sheet			
				appd	M. MOSTOLLER	11/12/02			1 of 4			
sheet index	revision sheet	A	A	A	A							
		1	2	3	4							

cage code 22526

Pro/E

PDM: Rev:A

STATUS: Released

Printed: Aug 14, 2007

Tous droits strictement réservés. Reproduction ou communication o des tiers interdite sous quelque forme que ce soit sans autorisation écrite du propriétaire. Propriete de c FCI. Droits de reproduction FCI.

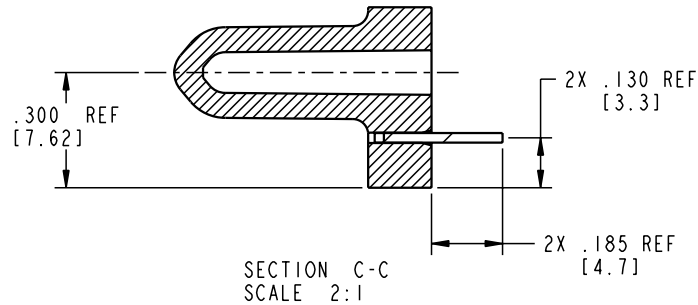
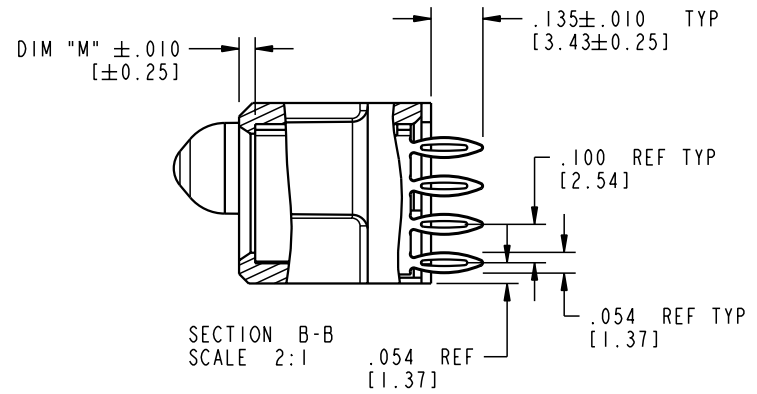
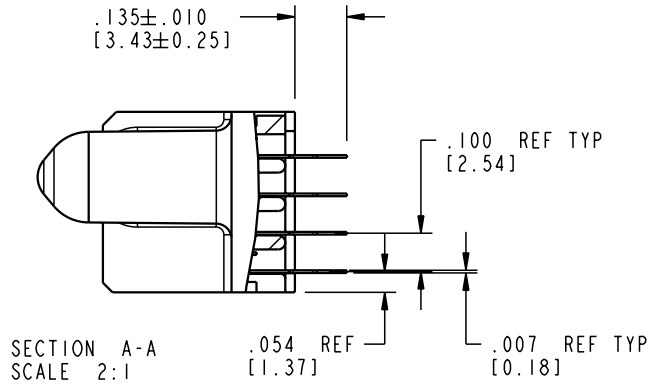
A
FCI


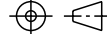
All rights strictly reserved. Reproduction or issue to third parties in any form whatever is not permitted without written authority from the proprietor. Property of FCI. Copyright FCI.

A

A

PRODUCT NUMBER
51740-10302403CA



mat'l code				SEE NOTE 2		tolerances unless otherwise specified		CUSTOMER		 FCI www.fciconnect.com	
ltr	ecn no.	dr	date	linear	.XX±.01/0.X±0.3		COPY		title		
A					.XXX±.005/0.XX±0.13		projection		3P + 24S + 3P		
					.XXXX±.0020/0.XXX±0.051				VERTICAL PRESS FIT RECEIPT		
					angles	0° ± 2°		INCH/MM		product family	
					dr	C. DAILY	11/12/02	scale		PwrBlade	
				enr	M. MOSTOLLER	11/12/02	1:1		code		
				chr	M. MOSTOLLER	11/12/02			size		
				appd	M. MOSTOLLER	11/12/02			A 51740-10302403CA		
sheet index		revision sheet								sheet 2 of 4	

B

B

1 | 2

Pro/E

3 |

cage code 22526

4

PDM: Rev:A

STATUS: **Released**

Printed: Aug 14, 2007

Tous droits strictement réservés. Reproduction ou communication o des tiers interdite sous quelque forme que ce soit sans autorisation écrite du propriétaire. Propriété de c FCI. Droits de reproduction FCI.

A
FCI

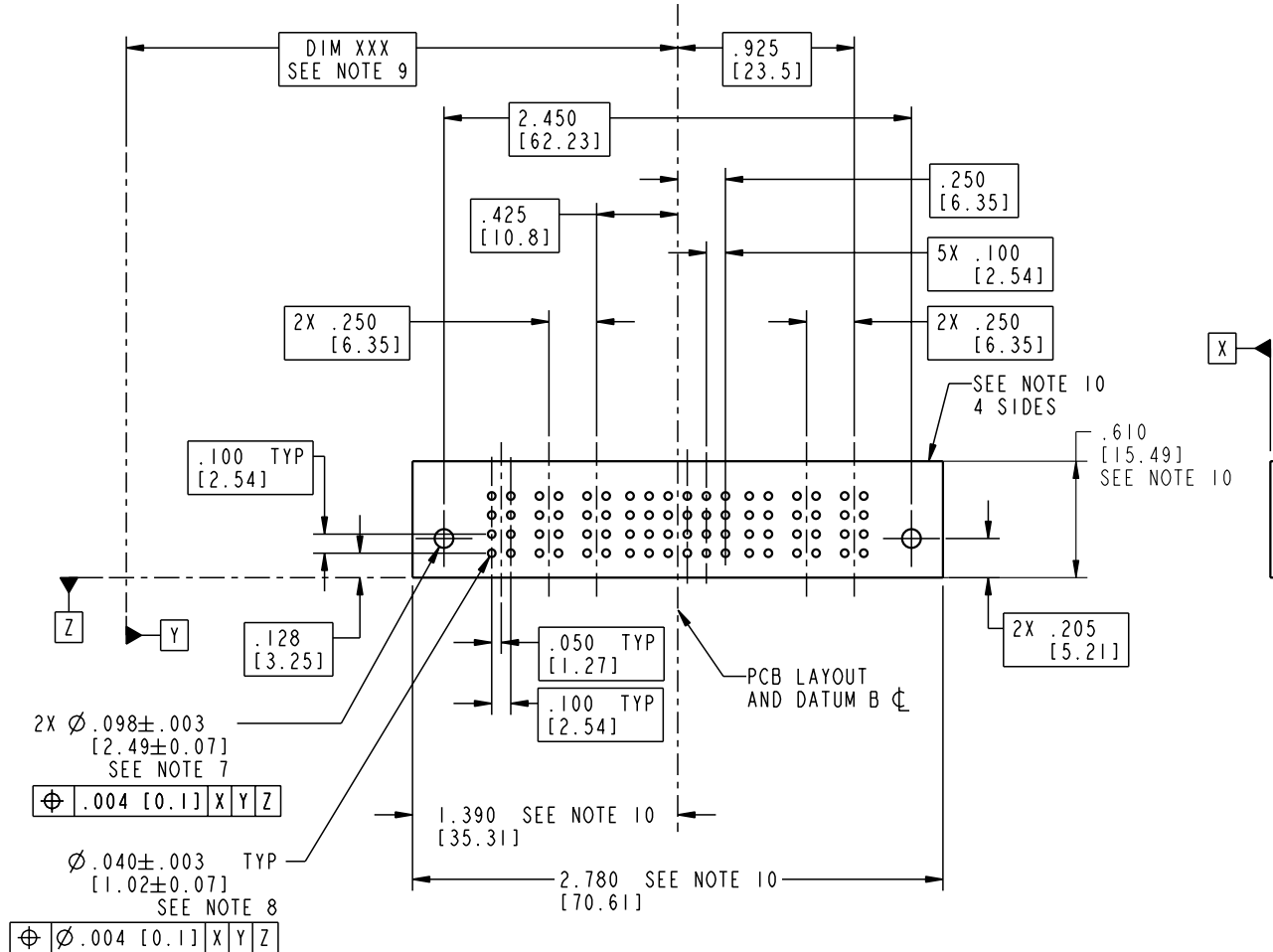
All rights strictly reserved. Reproduction or issue to third parties in any form, whenever is not permitted without written authority from the proprietor. Property of FCI. Copyright FCI.

A

FCI

B

PRODUCT NUMBER
51740-10302403CA



A

FCI

B

mat'l code		SEE NOTE 2		tolerances unless otherwise specified		CUSTOMER		 www.fciconnect.com	
ltr	ecn no.	dr	date	linear	.XX±.01/0.X±0.3	COPY			
A				angles	.XXX±.005/0.XX±0.13	projection		title	
				dr	.XXX±.0020/0.XX±0.051			3P + 24S + 3P	
				enr	0° ± 2°	INCH/MM		VERTICAL PRESS FIT RECEPT	
				chr	C. DAILY 11/12/02	scale		product family	
				appd	M. MOSTOLLER 11/12/02	1:1		PwrBlade	
					M. MOSTOLLER 11/12/02			code	
sheet index	revision sheet							size	
								dwg no	
								213	
								sheet	
								3 of 4	

cage code 22526

Pro/E

3

4

PDM: Rev:A

STATUS: Released

Printed: Aug 14, 2007

Tous droits strictement réservés. Reproduction ou communication o des tiers interdite sous quelque forme que ce soit sans autorisation écrite du propriétaire. Propriété de c FCI. Droits de reproduction FCI.



All rights strictly reserved. Reproduction or issue to third parties in any form, whenever is not permitted without written authority from the proprietor. Property of FCI. Copyright FCI.

PRODUCT NUMBER
51740-10302403CA

NOTES:

1. DIMENSIONS AND TOLERANCES ARE IN ACCORDANCE WITH ASME Y14.5M, 1994 UNLESS OTHERWISE SPECIFIED.

CONNECTOR NOTES:

- 2 HOUSING MATERIAL: UL 94 V-0 GLASS FILLED
HIGH-TEMP THERMOPLASTIC
POWER CONTACT MATERIAL: COPPER ALLOY
SIGNAL PIN MATERIAL: COPPER ALLOY
- 3. PLATING:
SIGNAL PINS: 30u"/0.76um Au OVER 50u"/1.27um Ni
POWER CONTACTS: 50u"/1.27um Ni UNDER ALL
WITH 30u"/0.76um Au ON CONTACT AREA
AND SnPb ON PCB INTERFACE

4 MANUFACTURER'S NAME, P/N, AND DATE CODE TO APPEAR ON THIS SURFACE.

5. PRODUCT SPECIFICATION GS-12-149.
APPLICATION SPECIFICATION BUS-20-067.

PCB NOTES:

- 6. ALL HOLE DIAMETERS ARE FINISHED HOLE SIZE.
- 7. MOUNTING HOLES, WHERE APPLICABLE, ARE UNPLATED.

8 $\varnothing .0453 \pm .0010$ [1.151 ± 0.025] DRILLED HOLES PLATED WITH .0003 [0.008] MIN SnPb OVER .001 [0.03] TO .003 [0.08] Cu PLATING TO ACHIEVE $\varnothing .040 \pm .003$ [1.02 ± .07] HOLE.

9 "DIM XXX" TO BE DETERMINED BY THE CUSTOMER.

10 CONNECTOR KEEP-OUT ZONE.

mat'l code				SEE NOTE 2		tolerances unless otherwise specified		CUSTOMER		www.fciconnect.com	
ltr	ecm no.	dr	date	linear	.XX±.01/0.X±0.3		COPY				
A					.XXX±.005/0.XX±0.13		INCH/MM				
				angles	.XXX±.0020/0.XXX±0.051		scale		title 3P + 24S + 3P VERTICAL PRESS FIT RECEPT		
				dr	C. DAILY	11/12/02	1:1		product family PwrBlade		code 213
				enr	M. MOSTOLLER	11/12/02			size		sheet 4 of 4
				chr	M. MOSTOLLER	11/12/02			A 51740-10302403CA		
				appd	M. MOSTOLLER	11/12/02					
sheet index		revision sheet									

1 | 2

Pro/E

3 |

cage code 22526

4

PDM: Rev:A

STATUS: Released

Printed: Aug 14, 2007